



An ergonomic choice
for commercial cleaning.

Kwik System™

FRAME & HANDLE

The Kwik™ frame and handle is constructed of high grade aluminum. Frames have tough Velcro® hooks that are vulcanized for extra durability and long life. The lightweight design of the tools make them an ergonomic choice for commercial cleaning.





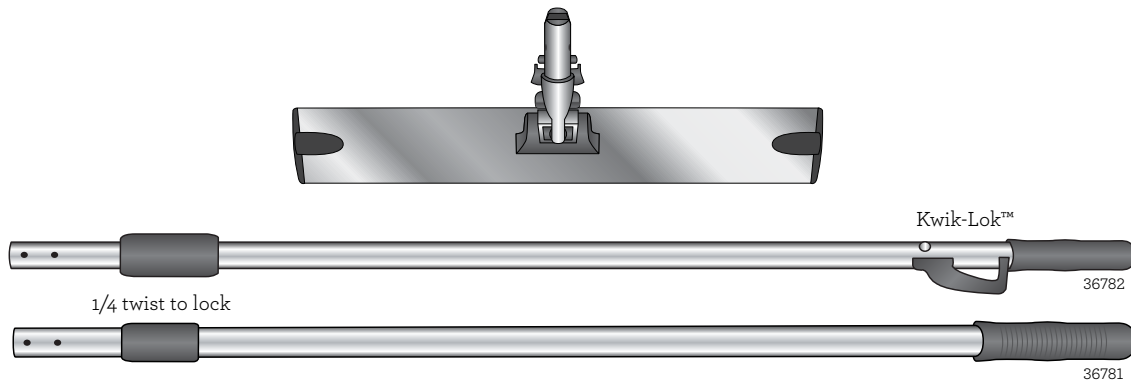
WHY YOU NEED THIS:

- Non-reactive aluminum construction will not react to cleaning chemicals or disinfection process, including autoclaving.
- Vulcanized Velcro® on the frame is engineered to match the special Z-velcro™ on the microfibre flat-mops.
- Low profile design can travel underneath doors and equipment.

FRAMES AND HANDLES

These frames and handles are designed to click-and-work. Aluminum is the highest quality available. Polymers are high impact plastics and are able to withstand repeated exposure to cleaning solutions. Frames are constructed so that if a part wears out it can be easily repaired.

The 36782 handle has a Kwik-lok™ release lever to allow the user to adjust the handle to the appropriate height. The 36781 handle adjusts to the user's height by using a twist-and-lock collar which secures the telescoping handle at the desired height (just below the users chin).



product	size [cm]	material	description	pack
36782	telescopic	aluminum, polymer	Kwik-lok™ handle	1
36781	telescopic	aluminum, polymer	Kwik handle ¼ twist lock	5
2142	23	aluminum, polymer	vulcanized Velcro® frame	5
2143	40	aluminum, polymer	vulcanized Velcro® frame	5
2144	55	aluminum, polymer	vulcanized Velcro® frame	5
12145	90	aluminum, polymer	vulcanized Velcro® frame	5
12146	120	aluminum, polymer	vulcanized Velcro® frame, c/w brace & handle	1